

## Technical data

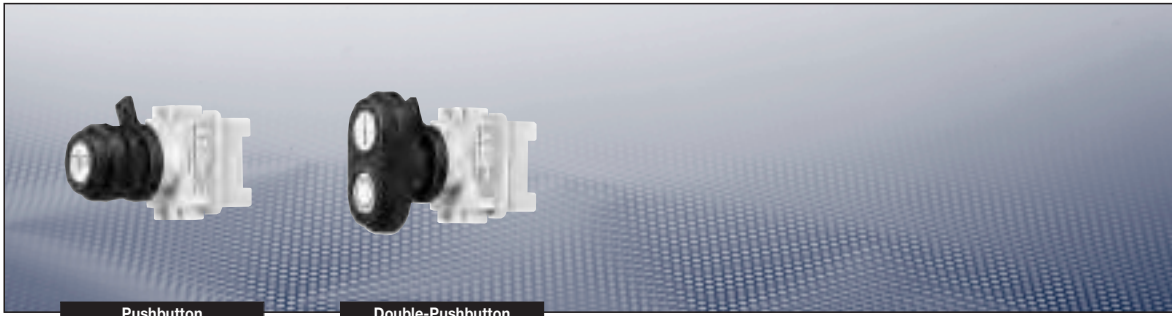
### Ex-Control and signal units for panel mounting

#### Pushbutton Type 418 811 and Double pushbutton Type 418 814

Marking to 94/9/EC	Ⓔ II 2 G Ex ed IIC T6 / Ⓔ I M 2 Ex de I		
EC-Type Examination Certificate	PTB 97 ATEX 1081 U PTB 99 ATEX 1034 <sup>1)</sup>		
Permissible ambient temperature	-20 °C to +40 °C -55 °C to +55 °C (option)		
Rated voltage	500 V AC		
Rated current	16 A		
Rated current gold contacts	0.4 A		
Switch rating	AC 15 DC 13	250 V/6 A 24 V/6 A	500 V/4 A 60 V/0.8 A 110 V/0.5 A
Connecting terminals	2 x 2.5 mm <sup>2</sup>		
Degree of protection accd. EN 60529	IP66 <sup>1)</sup>		
Dimensions (L x W x H)	approx. 59 x 31 x 45 mm		
Weight	0.20 kg		
Type of mounting	Ø 30.5 mm fixing hole		
Enclosure colour	grey		
Gasket material	Neoprene (Standard), Fluoric silicone or viton on request		

<sup>1)</sup> If protective covers are used

## Ex-Control and signal units



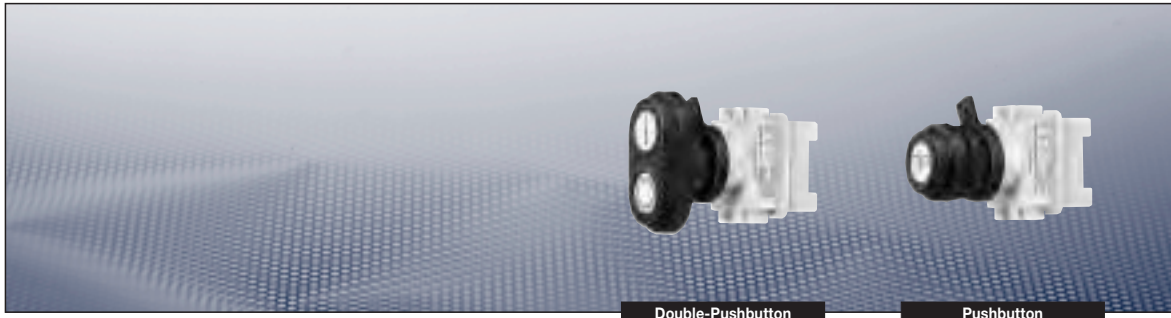
### Ordering code for Component (Code 2) Code A - B - C1 - (C2)

A	B	C2	C1
GHG 418 81_	_	R	_

Code	Component	Code
A	Pushbutton	GHG 418 811
	Double pushbutton	GHG 418 814

Code	Contact system	Contacts	Code	
			silver contact points	gold contact points
B	2 NC		3	6
	2 NO		4	7
	1 NO + 1 NC		5	8

Code	Label	Inscription	Code	Inscription	Code
C1, C2		0, I, Start, Stop	01	0	02
		I	03		04
			05	STOP	06
		START	07	NOT-AUS	08
		LANGSAM	09	SCHNELL	10
		EMERG.STOP	11		12
			13	ARRET	14
		MARCHE	15	AUF	16
		AB	17	Neutral white	18
		Neutral green	19	0, I, Arret, Marche	20
		UP	24	DOWN	25
		ZU	26	ON	27
		OFF	28	+	30
		-	31	Neutral red	33
		Neutral yellow	34	EIN	36
		AUS	37	Neutral black	38
		AUTO	39	Neutral blue	40
		HAND	50	SENKEN	51
		HEBEN	52	LINKS	53
		RECHTS	54	FAST	55
		SLOW	56	RESET	57
		OPEN	58		



Example for ordering code (Code 2)

Version	Label	Ordering code			
		A	B	C1	C2
Pushbutton without protective cover, silver contact points					
2 NC	(0, I, START, STOP)	<b>GHG 418 811</b>	<b>3</b>	<b>R0001</b>	-
2 NO	(0, I, START, STOP)	<b>GHG 418 811</b>	<b>4</b>	<b>R0001</b>	-
1 NO + 1 NC	(0, I, START, STOP)	<b>GHG 418 811</b>	<b>5</b>	<b>R0001</b>	-

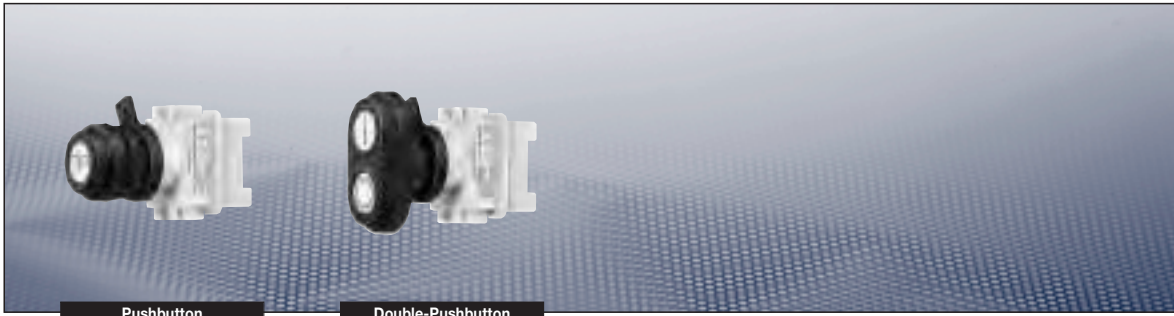
Double-pushbutton without protective cover, with gold contact points					
2 NC	(0, I, START, STOP)	<b>GHG 418 814</b>	<b>6</b>	<b>R01</b>	<b>01</b>
2 NO	(0, I, START, STOP)	<b>GHG 418 814</b>	<b>7</b>	<b>R01</b>	<b>01</b>
1 NO + 1 NC	(0, I, START, STOP)	<b>GHG 418 814</b>	<b>8</b>	<b>R01</b>	<b>01</b>

Accessories

Type	OU	Order No.
Protective cover to meet IP66	5	<b>GHG 410 1939 R0002</b>

Please note that we can only deliver in the ordering units (OU) stated in the tables above

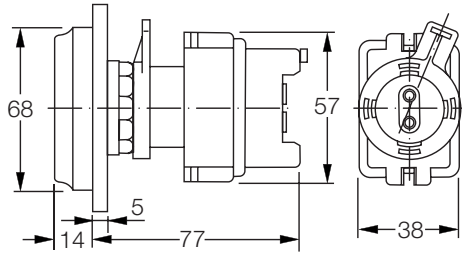
**| Ex-Control and signal units |**



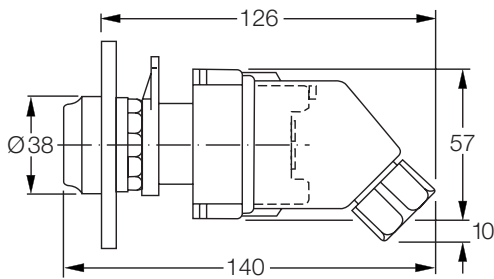
Pushbutton

Double-Pushbutton

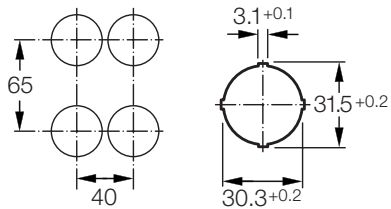
**Dimension drawing**



**(Double-)pushbutton without protective cover**



**(Double-)pushbutton with protective cover**



**Minimum distances**

Cooper Crouse-Hinds © 2009 - all rights reserved

Dimensions in mm