

Signal lamp

## Technical data

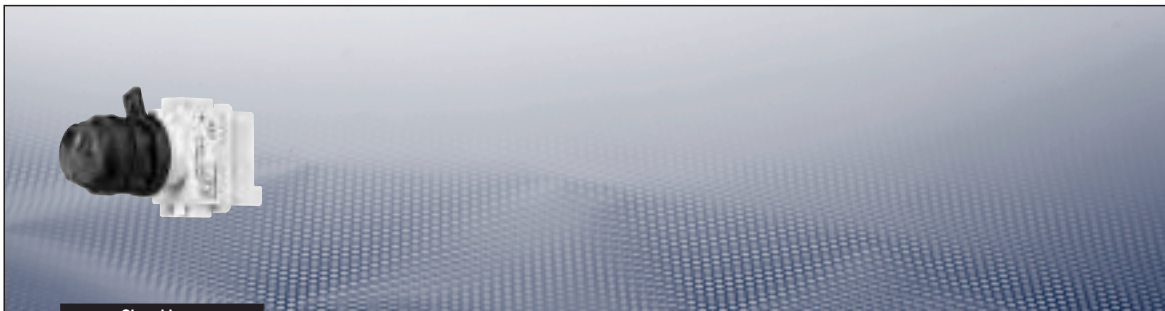
### Ex-Control and signal units for panel mounting

#### Signal lamp Type 418 8170

Marking to 94/9/EC		Ⓔ II 2 G Ex ed IIC / Ⓔ II 2 G Ex d ia IIC
EC-Type Examination Certificate		PTB 98 ATEX 1040 U PTB 99 ATEX 1034 <sup>1)</sup>
Permissible ambient temperature		-20 °C to +40 °C -55 °C to +55 °C (option)
Rated voltage	(Ex ed IIC) (Ex d ia IIC) (Ex ed IIC)	20 V to 250 V AC/DC 10 V to 28 V DC 12 V to 30 V AC/DC
Rated current	(20 V to 250 V) (10 V to 28 V Ex d ia IIC) (12 V to 30 V)	approx. 4 - 15 mA max. 25 mA max. 24 mA
Connecting terminals		2 x 2.5 mm <sup>2</sup>
Degree of protection accd. EN 60529		IP66 <sup>1)</sup>
Dimensions (L x W x H)		approx. 59 x 31 x 45 mm
Weight		0.15 kg
Type of mounting		Ø 30.5 mm fixing hole
Enclosure colour		grey

<sup>1)</sup> If protective covers are used

## Ex-Control and signal units



Signal lamp

### Ordering code for Component (Code 2) Code A - B

A	B
GHG 418 8170 R00	—

Code	Component	Code
A	Signal lamp	GHG 418 8170

Code	Resistance	Code
B	20 V - 250 V AC/DC	51
	18 V - 30 V DC (Ex-i <sup>1</sup> )	52
	12 V - 24 V AC/DC	53

### Example for ordering code (Code 2)

Version	Order No.	
	A	B
Version without protective cover with lens cover yellow, red, green and white		
Universal voltage 20V - 250 V AC/DC	<b>GHG 418 81 70</b>	<b>R0051</b>
For intrinsically safe circuits (18 V up to 30 V DC1)	<b>GHG 418 81 70</b>	<b>R0052</b>
Low voltage 12 V up to 24 V AC/DC	<b>GHG 418 81 70</b>	<b>R0053</b>

\* Supply by valve-driver components, e.g., with data:

$U_0 = 20 \text{ V} - 28 \text{ V DC}$  with  $R_i = 200 \Omega - 500 \Omega$  or  $U_0 = 10 \text{ V} - 18 \text{ V DC}$  with  $R_i = 100 \Omega - 200 \Omega$

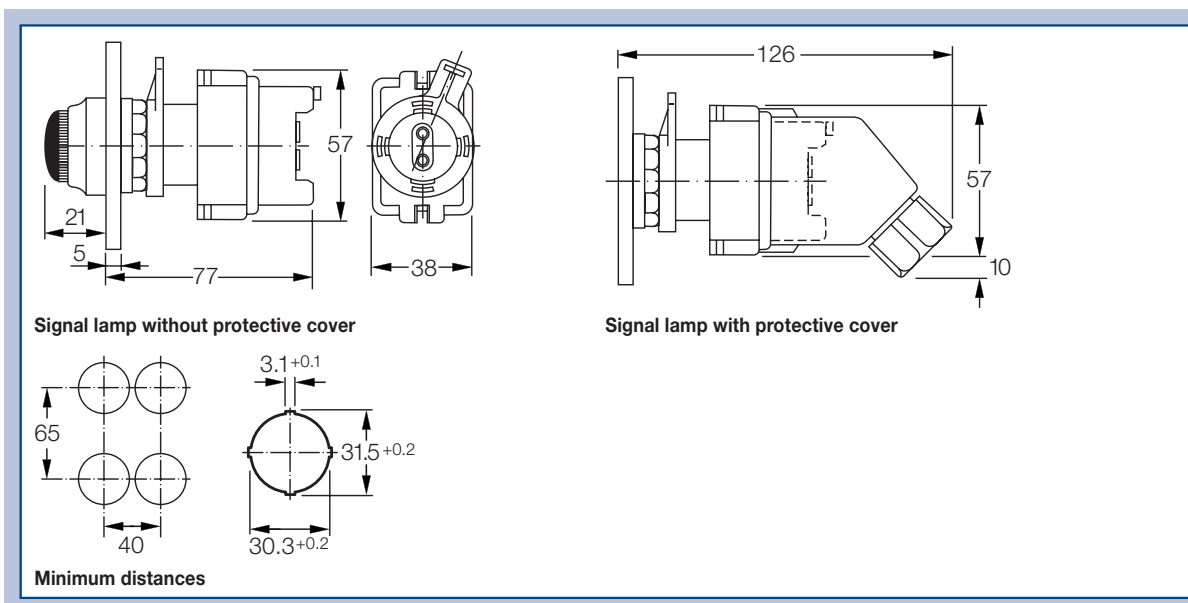
No effective  $C_i$  and  $L_i$  values.

### Accessories

Type	OU	Order No.
Protective cover to meet IP66	5	<b>GHG 410 1939 R0002</b>

Please note that we can only deliver in the ordering units (OU) stated in the tables above

### Dimension drawing



Dimensions in mm